



*CONTRACTOR LINE*

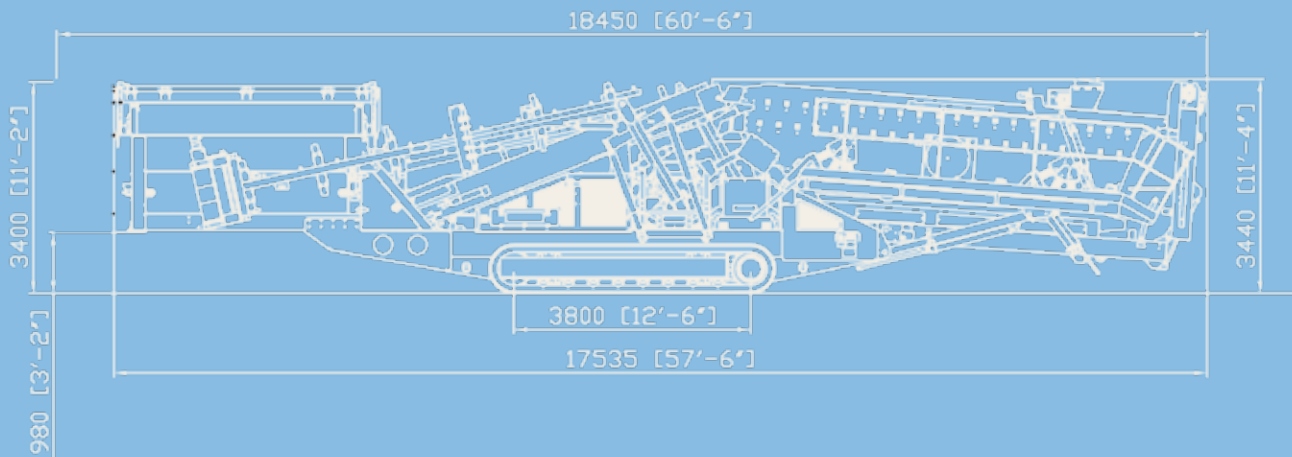
# MOBISCREEN MS 19 D

TECHNICAL SPECIFICATIONS

■ TRACK-MOUNTED SCREENING PLANT



Side view MS 19 D transport position



TECHNICAL SPECIFICATIONS MS 19 D

<b>Feeding unit</b>		<b>Belt conveyor screen overflow (lower deck)</b>	
Feed capacity up to approx. (t/h)	500	Width x length (mm)	800 x 10300
Feed size max. (mm)	150 x 150	Discharge height approx. (mm)	5100
Feed height (mm)	3635	<b>Belt conveyor screen overflow (middle deck)</b>	
Hopper capacity (m <sup>3</sup> )	8	Width x length (mm)	800 x 10300
<b>Belt conveyor feeder</b>		Discharge height approx. (mm)	5100
Width x length (mm)	1200 x 3500	<b>Belt conveyor oversize grain</b>	
Discharge height approx. (mm)	–	Width x length (mm)	650 x 1800
<b>Feeding belt conveyor screen</b>		Discharge height approx. (mm)	–
Width x length (mm)	1050 x 11800	<b>Belt conveyor oversize grain</b>	
Discharge height approx. (mm)	–	Width x length (mm)	500 x 8500
<b>Screening unit</b>		Discharge height approx. (mm)	4700
Type	triple-deck vibration screen	<b>Crawler chassis</b>	
Width x length (mm)	1520 x 6100	Type	D4
<b>Belt conveyor screen underflow</b>		<b>Diesel-hydraulic drive</b>	
Width x length (mm)	1200 x 8000	Engine power (kW)	93
Discharge height approx. (mm)	4600	<b>Transport</b>	
		Transport height approx. (mm)	3450
		Transport length approx. (mm)	17600
		Transport width approx. (mm)	3060
		Transport weight approx. (kg)	36500